

BUILT-UP ROOFING - CLASS A, B, OR C PER LOCAL CODE REQUIREMENTS

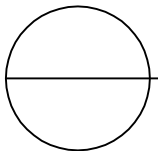
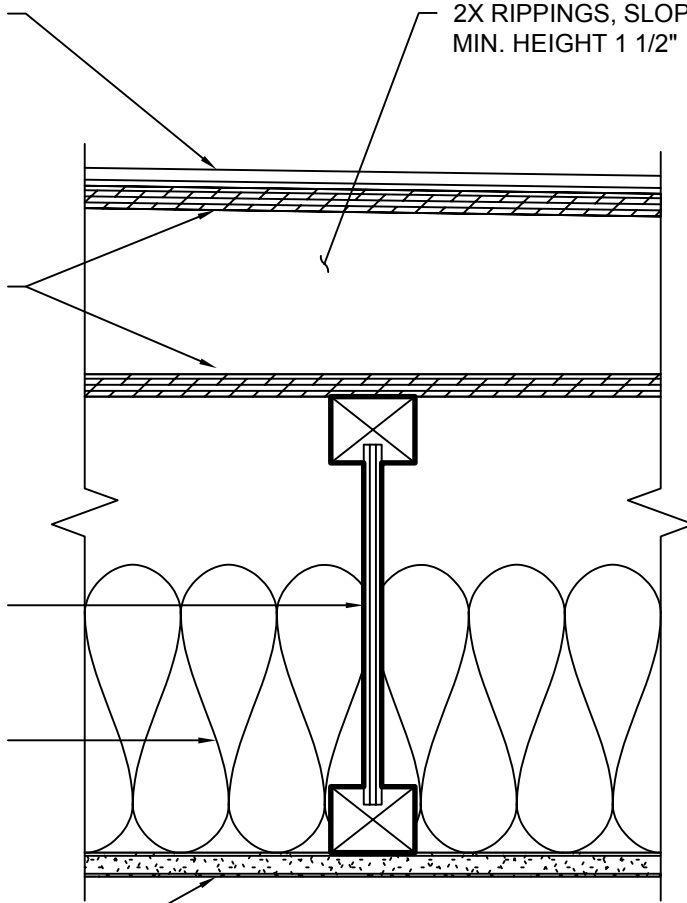
2X RIPPINGS, SLOPED PER PLAN, MIN. HEIGHT 1 1/2"

WOOD STRUCTURAL PANEL ROOF SHEATHING, SEE STRUCTURAL DRAWINGS

MIN. 9 1/2" DEEP I-JOISTS AT 24" O.C., SEE STRUCTURAL DRAWINGS

BATT INSULATION PER THERMAL REQUIREMENTS

1 LAYER 1/2" GYP. BD.



NON-RATED I-JOIST ROOF WITH RIPPINGS

3" = 1'-0"