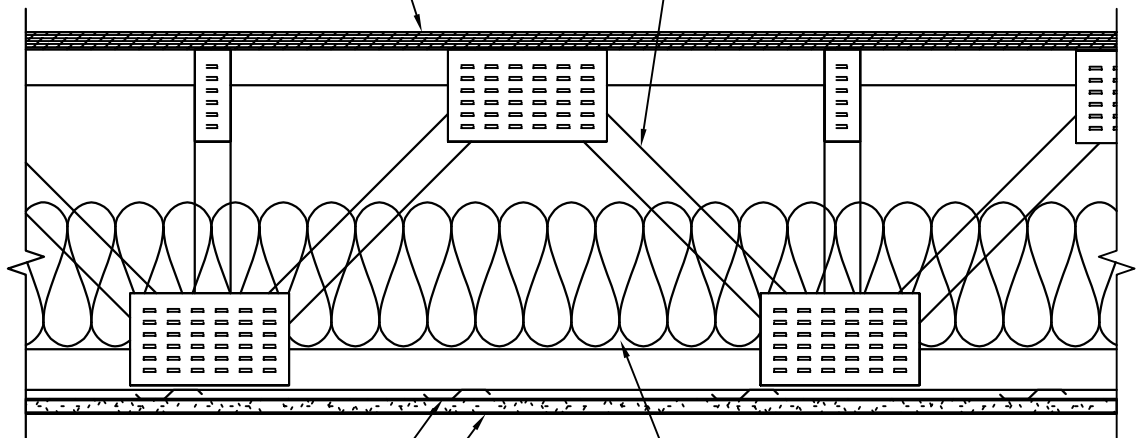


MIN. 23/32" WOOD STRUCTURAL  
PANEL SUBFLOOR,  
SEE STRUCTURAL DRAWINGS

WOOD PARALLEL CHORD TRUSSES,  
MAX. 24" O.C., MIN. TRUSS DEPTH 12"  
SEE STRUCTURAL DRAWINGS

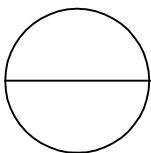


RESILIENT CHANNELS

BATT INSULATION (OPTIONAL)

1 LAYER 5/8" 'X' GYP. BD.

1 HOUR RATED PER UL DESIGN No. L521



# 1 HOUR RATED TRUSS FLOOR ASSEMBLY

1 1/2" = 1'-0"