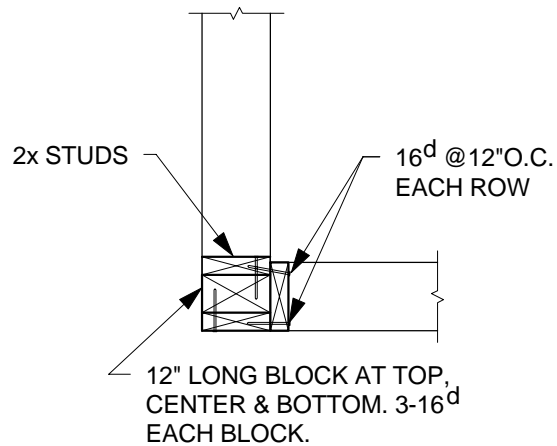
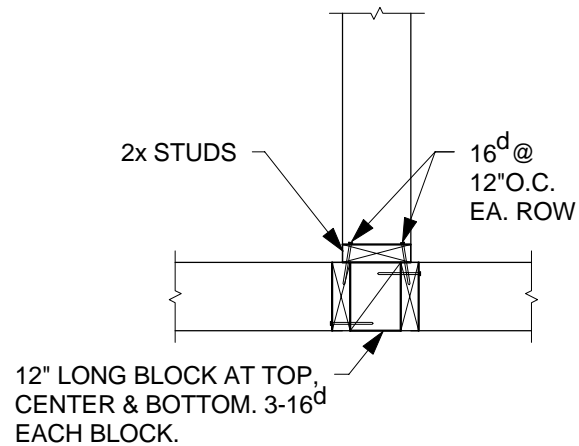


PLAN AT STEEL COL. (A)

PLAN AT CONC OR MASONRY (B)



CORNER (C)



INTERSECTION (D)